

CI/T hinge isolator with central insulating rod is for indoor vertical mounting on walls or boards.

The isolator is designed for resisting the rated current, establishing an isolating distance and withstand a short-circuit.

Moving contact made by two blades mounted in parallel and passed through by the same current, have an auto clench effect during short circuit current.

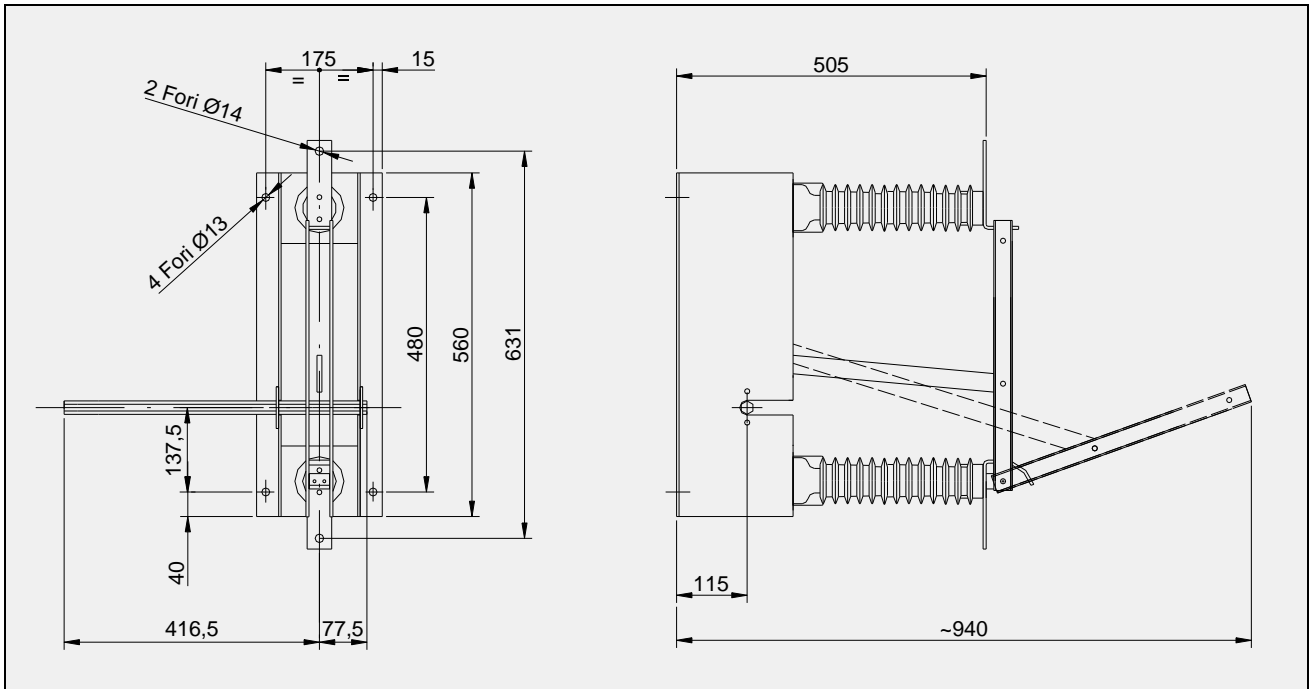
Isolator has no breaking capacity.

Supporting insulators are made of epoxy resin fixed on a galvanized bended iron plate base.

The upper part of insulators, supports the copper fixed and moving contacts that are protected by oxidation.

Normal contact pressure is allowed by stainless steel springs.

Manual / Motorized operating mechanism and auxiliary switch are available



Electrical characteristics

Rated voltage	U [kV]	12;17,5;24;36
Withstand voltage pole earth (50-60 Hz/1 min.)	U (1 min.) [kV]	70
Withstand voltage across isolating distance (50-60 Hz/1 min.)	U (1 min.) [kV]	80
Impulse withstand voltage pole earth	Uw [kV]	170
Impulse withstand voltage across isolating distance	Uw [kV]	195
Rated normal frequency	F [Hz]	50-60
Rated normal current (40°C)	In [A]	400-2000
Rated admissible short-time current (1 sec.)	Icw [kA]	12,5

Standards CEI 17-4 IEC 129