

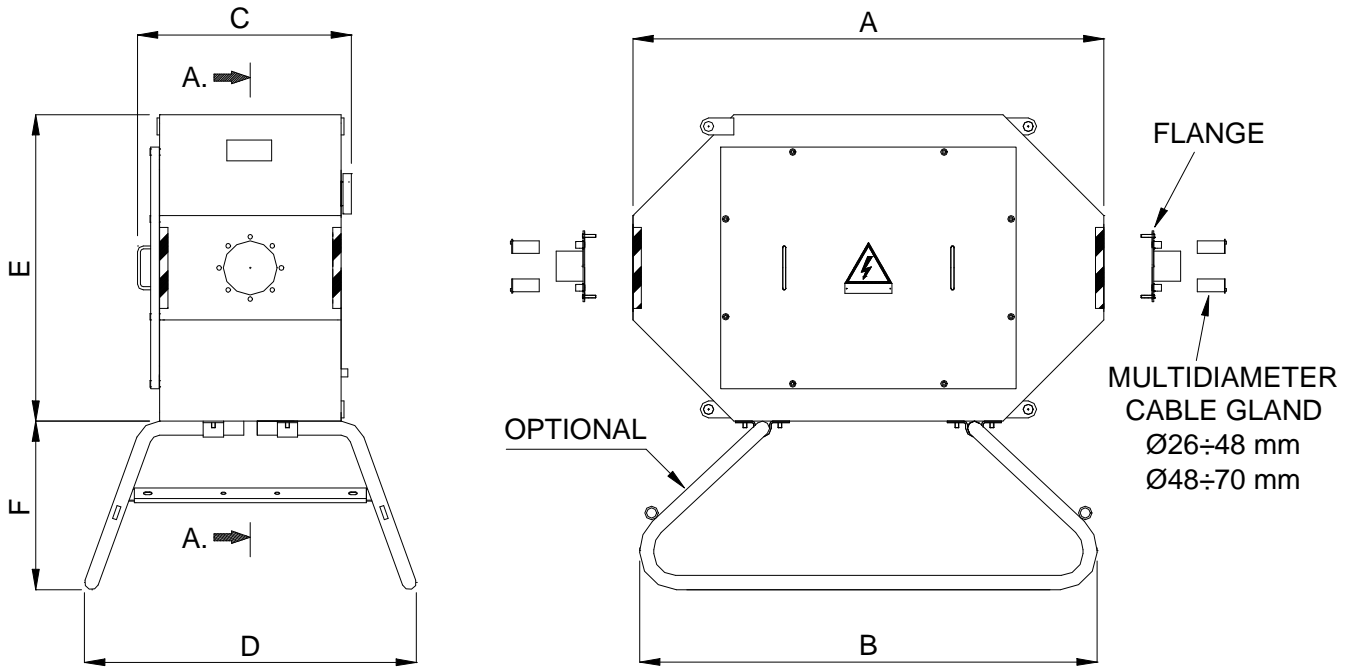
Airlink M 210 junction boxes are used to joint three core armoured cables having cross-section area up to 120 mm².

They are made of 25/10 mm bent metal sheets protected by outdoor painting treatment.

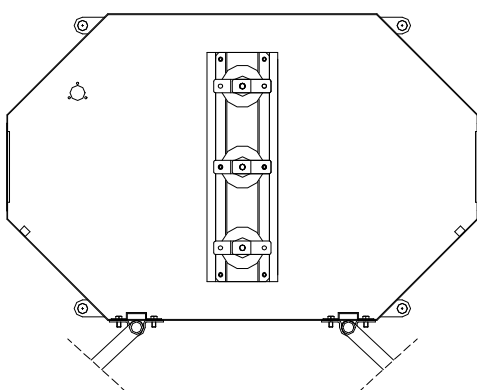
Airlink M 210 can be fixed to the wall or rested to the floor through slides made of 1" 1/4 hot galvanised pipe available as optional.

Insulating parts are made of porcelain with long creeping distance.

External bolts are made of stainless steel. Internal parts are zinc-coated.



A-A SECTION



Voltage (kV)	DIMENSIONS (mm)						Weight (kg)
	A	B	C	D	E	F	
7.2	1200	1360	500	988	740	500	90*
12	1300	1360	576	988	810	500	110*
17.5	1400	1360	636	988	910	500	156*

*Slides type

Protection degree : IP 45
Standards : CEI 17-6 IEC 298
Colour : red RAL 3020 (other on request)

ELECTRICAL CHARACTERISTICS

Rated normal current (40 °C) up to 400 A
Rated isolation voltage 7.2 / 12 / 17.5 kV
Withstand voltage at 50 Hz (1 min.) 20 / 28 / 38 kV
Impulse withstands voltage 60 / 75 / 95 kV