

الشركة السعودية للكهرباء
Saudi Electricity company



GENERAL

SUE1068 disconnect and bypass switches feature all copper bar current-carrying parts, providing uniform strength and conductivity with no defects. Washers between the blade assembly and hinge act as a bearing, ensuring easy blade opening. SUE1068 switch models feature a 90° field removable stop. The regulator and current transformer bypass switches feature sequenced, make before break operation up to 600 A rating, minimizing the possibility of operator error.

The single-pull operation of the 600 A rating both bypasses and disconnects the regular or current transformer, or reconnects them to the line. An arc ruptor provided on regulator bypass switches interrupts the regulator exciting current and prevents arcing and damage to the switch contacts when disconnecting the regulator. Reverse loop contacts on 600 A ratings increase contact pressure and minimize the possibility of contact damage when subjected to high fault current.

MOUNTING

SUE1068 outdoor switch disconnecter can be **mounted** in vertical or underhung position. Easily adaptable to single or double crossarm

construction, it is suitable for metal, concrete or timber poles, through standard fixing devices or special on request.

CURRENT CARRYING SET

Moving contact consists in two blades mounted in parallel.
Fixed contact is made of bent sheet having a feature, which ensure an optimal working.
For both, material is copper Cu-ETP 99,90 coated. Contacts pressure is controlled by stainless steel springs during normal conditions and by the

self-tightening action when high current flow through them in particular conditions. Stainless steel bolts or brass clamps on request, carry out connecting of copper or aluminium alloy cables. All small components like bolts, pins of the current carrying set, are made of stainless steel

INSULATORS

Insulating components used are:
• **Solid glazed porcelain**
in according to IEC 61952 standards. Epoxy or polymer type also available.

Insulators have hot dip galvanized cast iron fittings. Different leakage distance can be chosen according to the environment pollution level.

OPERATING MECHANISM AND OPERATING DEVICES

Operating mechanism allows fast closing and opening operations. The opening/closing speed is dependent of the operator.

• **Operating devices** used are the following:
Manual hookstick-operated consists on an handle control manoeuvrable directly with hotstick

MANUFACTURING, STANDARDS, QUALITY ASSURANCE

SUE1068 is an outdoor switch disconnecter product of Eleron experience.

The Eleron **manufactures** directly main parts of disconnecter as contacts, frame, operating mechanism and devices. Remaining parts come from chosen suppliers, finally Eleron carry out to assembling and test the product.

An internal standard **Quality Assurance** in compliance with governs all manufacturing process UNI EN ISO 9001 standard

Before shipment, all SUE1068 outdoor switch disconnectors are subject to the following **routine tests**:

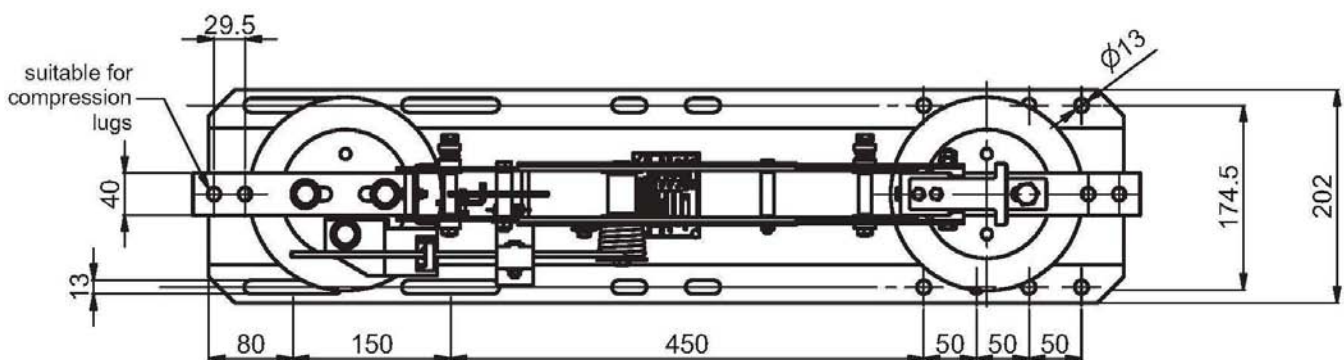
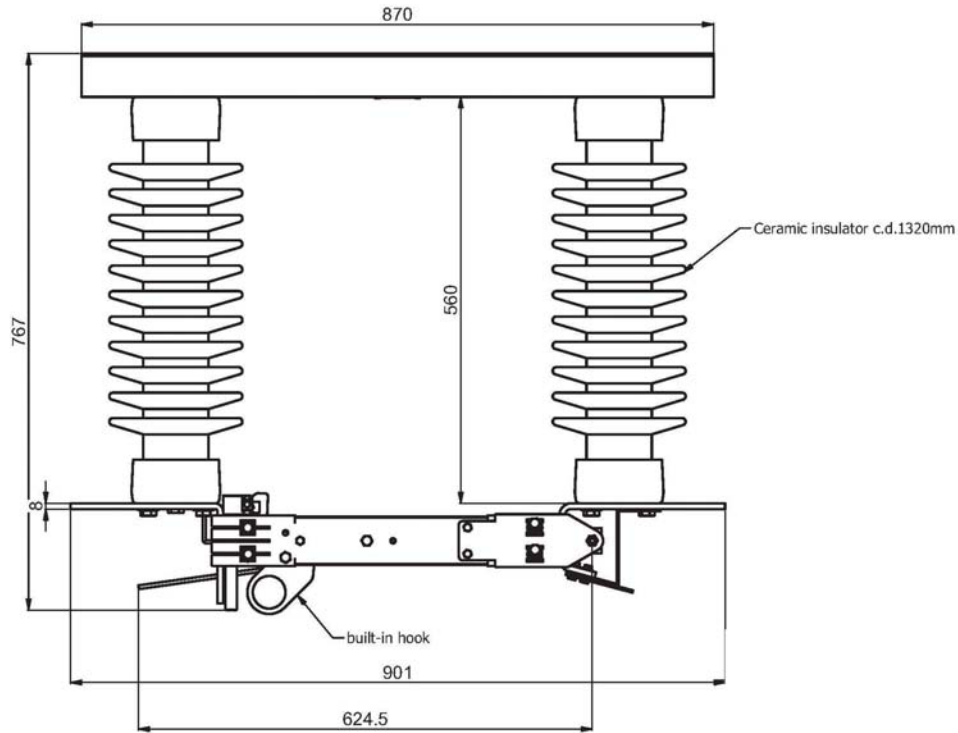
- Dielectric test
- Measurement of the resistance of the main circuit
- Mechanical operating test

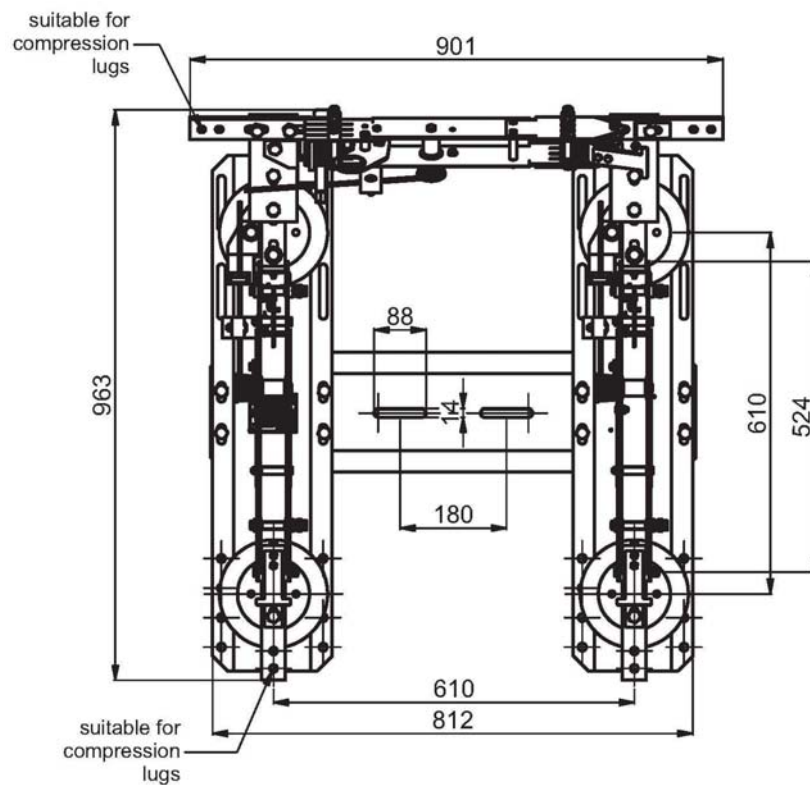
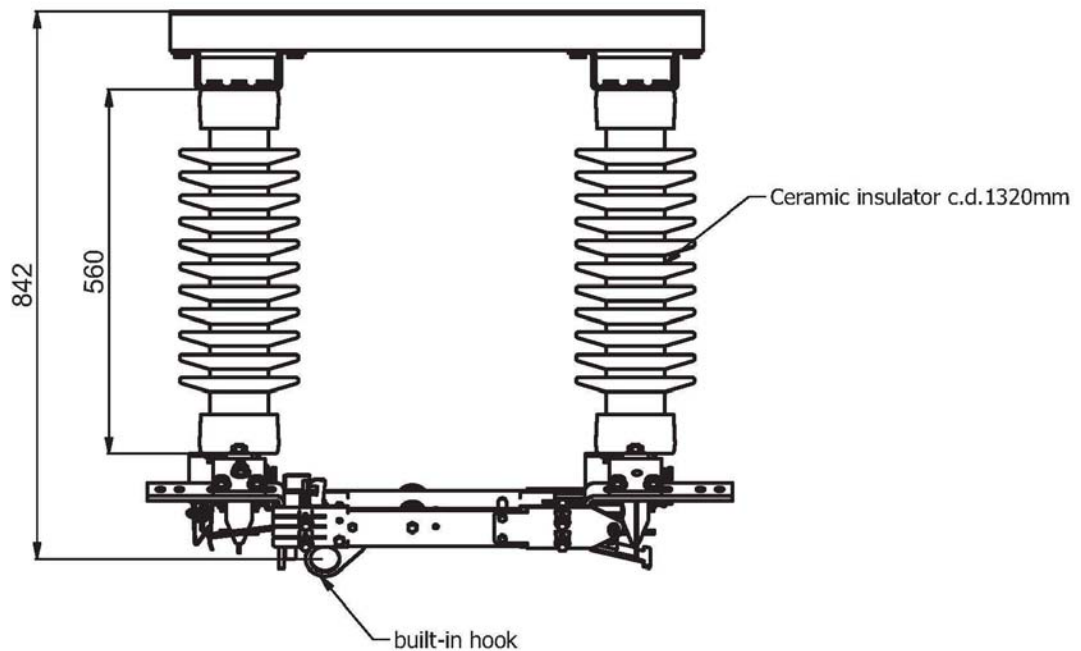
SUE1068 outdoor switch disconnecter comply with the following **standards**:

- International IEC 62271-102 , IEC 60265, EN 50152-2
- National CEI EN 62271-102, CEI EN 60265

TECHNICAL CHARACTERISTICS

Ambient temperature	[°C]	-25÷65
Nr. of mechanical manoeuvre	Classe MO	1000
Ice making capacity	[mm]	10
Electrical characteristics		
Rated normal voltage 'Ur'	[kV]	15,2-36
Rated withstand voltage toward earth and between phases (50-60 Hz/1 min.)	[kV]	38-70
Rated withstand voltage between open contacts (50-60 Hz/1 min)	[kV]	45-80
Impulse withstands voltage toward earth and between phases 'Up'	[kV]	95-170
Impulse withstands voltage between open contacts	[kV]	110-195
Rated normal frequency	[Hz]	50-60
Rated normal thermal current 'Ir'	[A]	Up to 600
Rated admissible short-time current (1 sec./3 sec.) 'Ik'	[kA]	21-25

OVERALL DIMENSIONS (33kV type)**Type SUE1068 – Disconnect Switch for Voltage Regulator**

Type SUEB1068 – Auto Recloser Bypass Switch

Type SUEVB1068 – Voltage regulator Bypass Switch