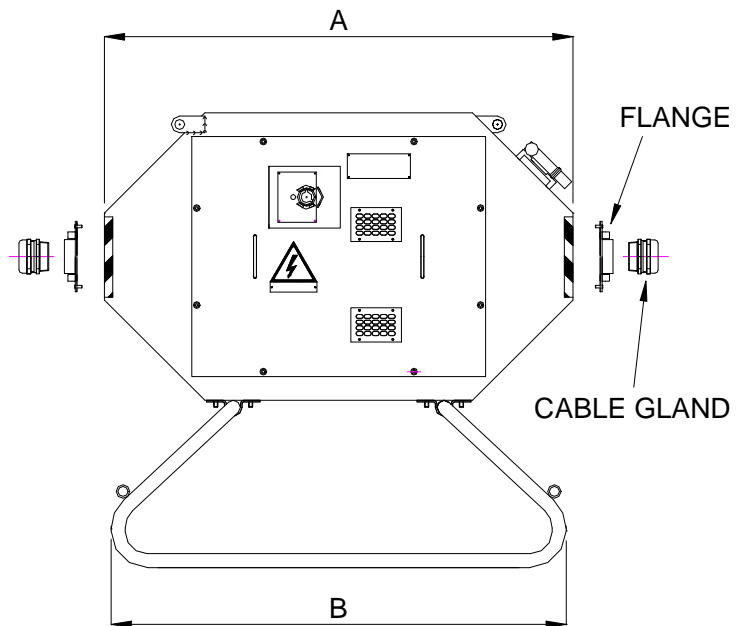
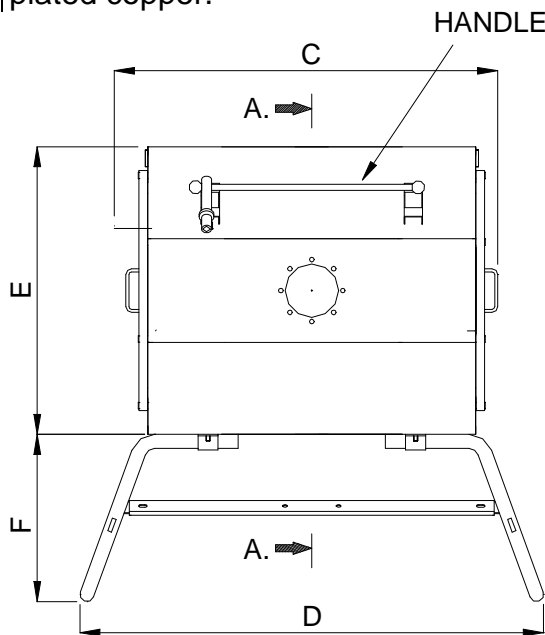


**Airlink S 300** disconnecting boxes are used to disconnect electrical circuits constructed by three core armoured cables having cross-section area up to 120 mm<sup>2</sup>.

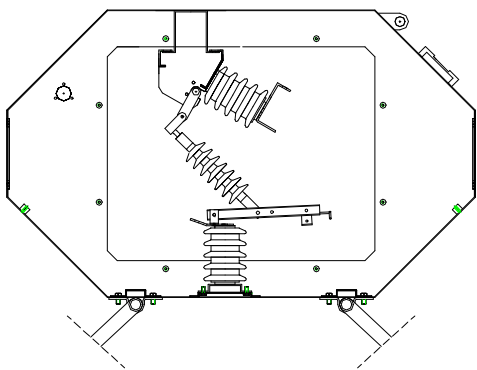
They are made of 25/10 mm bent metal sheets protected by outdoor painting treatment .

A three pole off-load isolator, with an external operating device, is housed inside and can be accessed from the two sides for connection of cables. A spring whip device allows a breaking capacity of residual currents.

Airlink S 300 is designed to be rested to the floor through slides made of 1" <sup>1</sup>/<sub>4</sub> hot galvanised pipe. Insulating parts are made of porcelain with long creeping distance. External bolts are made of stainless steel. Internal parts are zinc-coated. All contacts parts are made of nickel-plated copper.



A-A SECTION



Protection degree : IP 45  
Standards : CEI 17-6/17-4 IEC 298/129  
Colour : red RAL 3020 ( Other on request)

| Voltage (kV) | DIMENSIONS (mm) |      |      |      |     |     | Weight (kg) |
|--------------|-----------------|------|------|------|-----|-----|-------------|
|              | A               | B    | C    | D    | E   | F   |             |
| 12           | 1400            | 1360 | 1050 | 1285 | 800 | 500 | 150         |
| 17.5         | 1400            | 1360 | 1150 | 1385 | 860 | 500 | 230         |

### ELECTRICAL CHARACTERISTICS

|                                      |              |
|--------------------------------------|--------------|
| Rated normal current ( 40 °C ) up to | 400 A        |
| Rated isolation voltage              | 12 / 17.5 kV |
| Withstand voltage at 50 Hz (1 min.)  | 28 / 38 kV   |
| Impulse withstands voltage           | 75 / 95 kV   |